



NUSPAN

PRECAST INSULATED FLOORS

robustdetails®

robustdetails®

Separating walls which can be used together with specific flanking constructions

Masonry walls

Masonry Walls	Nuspan Flooring Ltd
E-WM-1	✓
E-WM-2	✓
E-WM-3	✓
E-WM-4	✓
E-WM-5	✓
E-WM-6	✓
E-WM-8	✓
E-WM-9	-
E-WM-10	✓
E-WM-11	✓
E-WM-12	✓
E-WM-13	✓
E-WM-14	✓
E-WM-15	✓
E-WM-16	✓
E-WM-17	✓
E-WM-18	✓
E-WM-19	-
E-WM-20	✓
E-WM-21	✓
E-WM-22	✓
E-WM-23	✓
E-WM-24	✓
E-WM-25	✓
E-WM-26	✓
E-WM-27	✓
E-WM-28	✓
E-WM-29	✓
E-WM-30	✓
E-WM-31	✓
E-WM-32	✓

Timber walls

Timber Walls	Nuspan Flooring Ltd
E-WT-1	✓
E-WT-2	✓
E-WT-3	✓
E-WT-4	✓

Steel walls

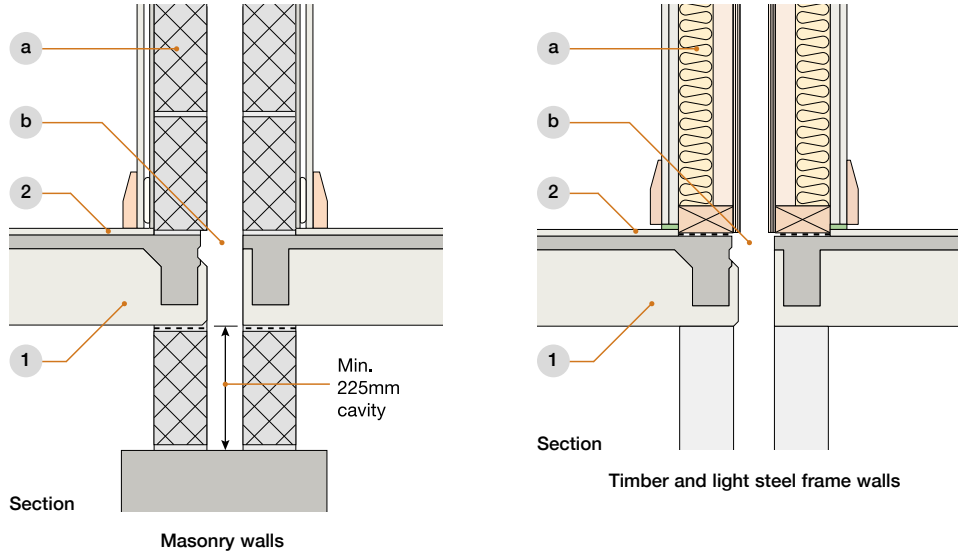
Steel Walls	Nuspan Flooring Ltd
E-WS-1	✓
E-WS-2	-
E-WS-3	-
E-WS-4	✓
E-WS-5	-

Contact details for Nuspan

Telephone: **01842 810445** Email: info@nu-span.com Web: www.nu-span.com

robustdetails®

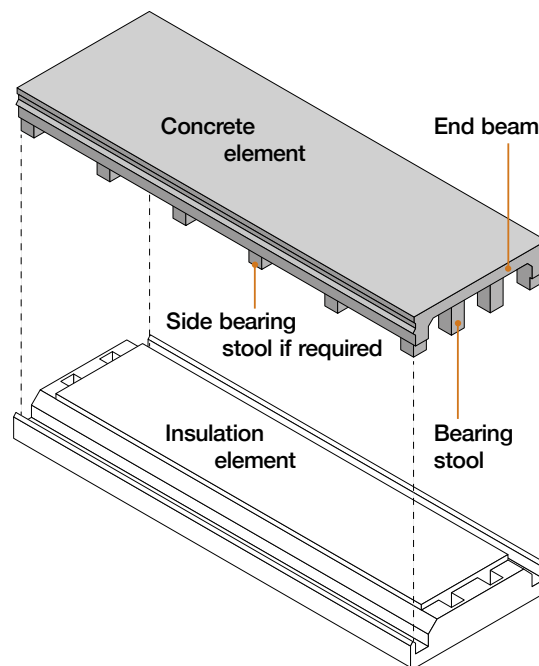
Nuspan precast insulated floor unit installation:



Key

- 1 Nuspan pre-insulated slab, 300mm or 375mm deep. Slabs can be end-bearing or side-bearing.
- 2 Nominal 10mm self-levelling compound. Thicker screed layers are also acceptable.
- a robustdetails® separating wall. Refer to Table 6a in the Introduction and relevant Robust Detail in the Handbook
- b Maintain minimum cavity width specified for chosen robustdetails® separating wall. This can be insulated in accordance with the specification for the chosen wall type.

Slab components



Contact details for Nuspan

Telephone: 01842 810445 Email: info@nu-span.com Web: www.nu-span.com